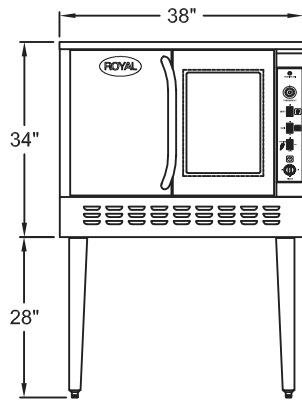
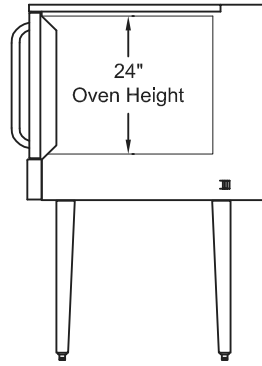
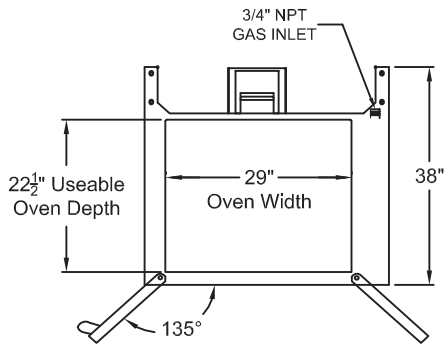


Gas Convection Oven - Standard Depth



OVEN INTERIOR USABLE SPACE: 29" W x 22.5" D X 24" H

Accommodates full size sheet pans side to side

Model Number	Number of Burners	Total BTU	Ship Weight
RCOS-1	2	70,000	520 lbs.

Electrical Requirements:

120VAC, 50-60Hz, 1 Ph., 8 amps

Two speed motor (1725/1140 RPM), ½ HP

Provided with 6' power cord fitted with a standard three prong grounded plug

Due to continuing product development to ensure best possible performance, these specifications are subject to change without prior notification.